

- INDICATES BUILDINGS / STRUCTURE TO BE RETAINED
- INDICATES HERITAGE BUILDINGS / STRUCTURE TO BE RETAINED
- INDICATES UNDERGROUND HERITAGE STRUCTURE TO BE RETAINED
- INDICATES TEMPORARY WORKS.

Building No.	Floors	Description
1	B	Car Park
1	G	Car Park
2	B	Car Park
2	G	Car Park
3	B	Car Park
3	G	Car Park
4	B	Car Park
4	G	Car Park
5	B	Car Park
5	G	Car Park
6	G	Car Park
7	G	Car Park
8	G	Car Park
9	G	Car Park
10a	B, G + 2	Administration Building
10b	B, G + 2	Administration Building
10c	B, G + 2	Administration Building
10d	B, G + 2	Administration Building
10e	G	Administration Building
10e	1 & 2	Administration Building
10e	3	Administration Building
11a	B	Administration Building
11a	G	Administration Building
11b	G	Administration Building
11b	G	Administration Building
12	G	Administration Building
12	G	Administration Building
13a	G	Administration Building
13a	G	Administration Building
13b	G	Administration Building
13c	G	Administration Building
14	B, G + 1	Administration Building
15	G	Administration Building
16	G	Administration Building
17	G	Administration Building
18	G	Administration Building
19	G	Administration Building
20	G	Administration Building
21	G	Administration Building
22	G	Administration Building
23	B, G + 5	Administration Building
24	G	Administration Building
25	G	Administration Building
26	G	Administration Building
27	G	Administration Building
28	G	Administration Building
29	G	Administration Building
30	G	Administration Building
31	G	Administration Building
32	G	Administration Building
33	B, G + 4	Administration Building
34	B, G + 5	Administration Building
35a	B	Administration Building
35a	G	Administration Building
35b	G	Administration Building
35c	G	Administration Building
35d	G	Administration Building
35e	G	Administration Building
36	G	Administration Building
37a	G	Administration Building
37b	G	Administration Building
38	B, G + 2	Administration Building
39	B, G + 2	Administration Building
40	B, G + 2	Administration Building
41	B, G + 2	Administration Building
42a-c	G + 1	Administration Building
43	G + 2	Administration Building
44	G + 3	Administration Building
45	G + 3	Administration Building
46a	G + 2	Administration Building
46b	G	Administration Building
46c	G	Administration Building
47a-b	G + 1	Administration Building
48a-b	G + 1	Administration Building
49a-b	G + 1	Administration Building
50	G	Administration Building
51	G	Administration Building
52	G	Administration Building
53a	G	Administration Building
53b	G	Administration Building
56	G	Administration Building
58	G	Administration Building
59	G	Administration Building
60	G	Administration Building
61	G	Administration Building
63	G	Administration Building
67	G	Administration Building

**enstruct** group pty ltd  
Level 4, 4 Gungah Street  
Masons Point, NSW 2061  
Australia  
Telephone (02) 8834 1444  
Facsimile (02) 8834 1556  
http://www.enstruct.com.au

**enstruct**

**FRASERS**  
PROPERTY

INCOLL  
DEVELOPMENT AND PROJECT MANAGEMENT

Project: Frasers Broadway Development

Project No: 3790

Drawing No: ST-002.03

Scale: 1:500

Date: 04/07

Author: ML

Checker: RC

Drawn: 04/07

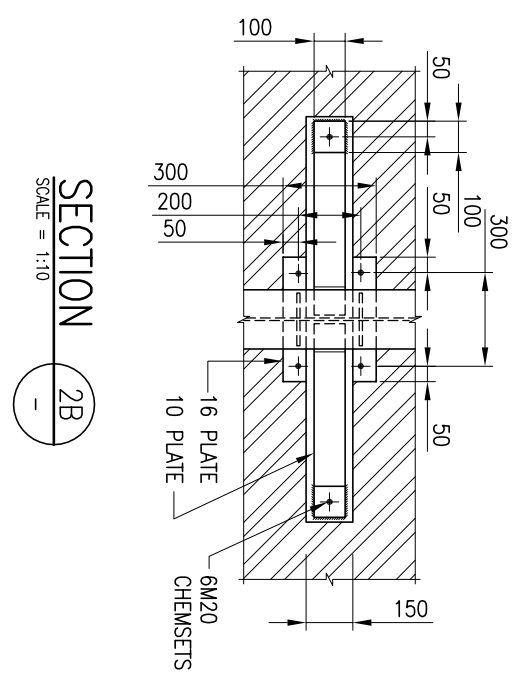
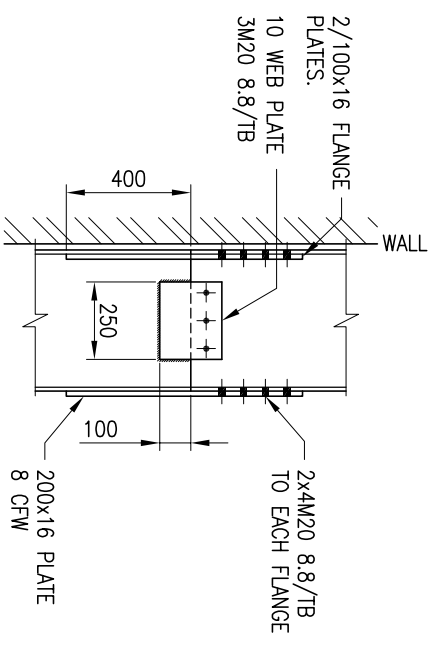
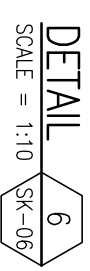
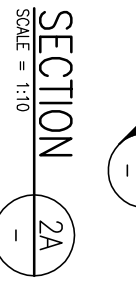
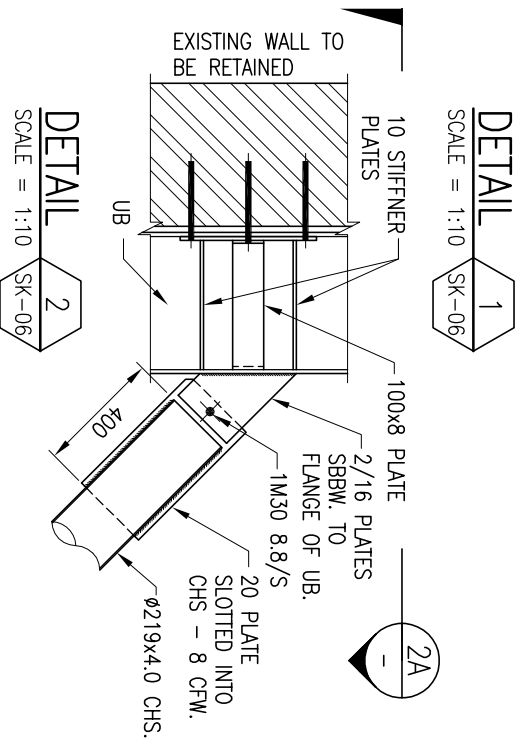
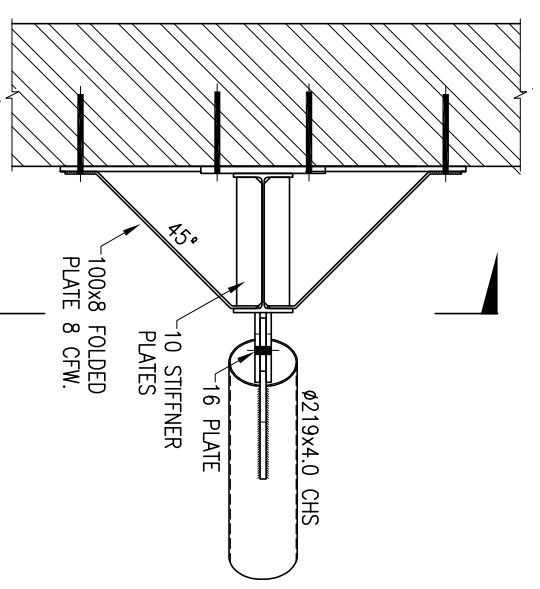
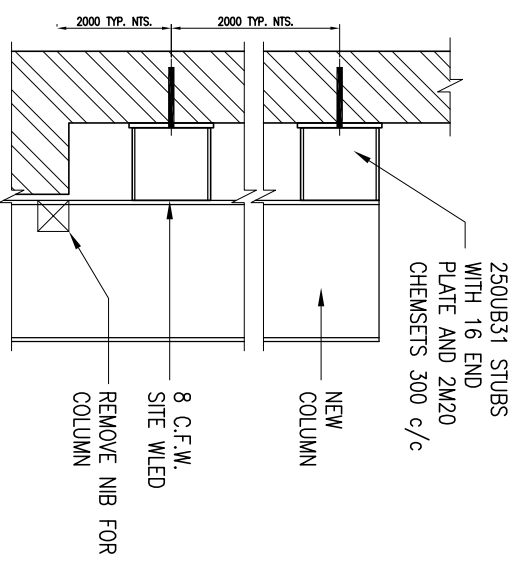
Reviewed: 01

FOR PROJECT APPLICATION & TENDER

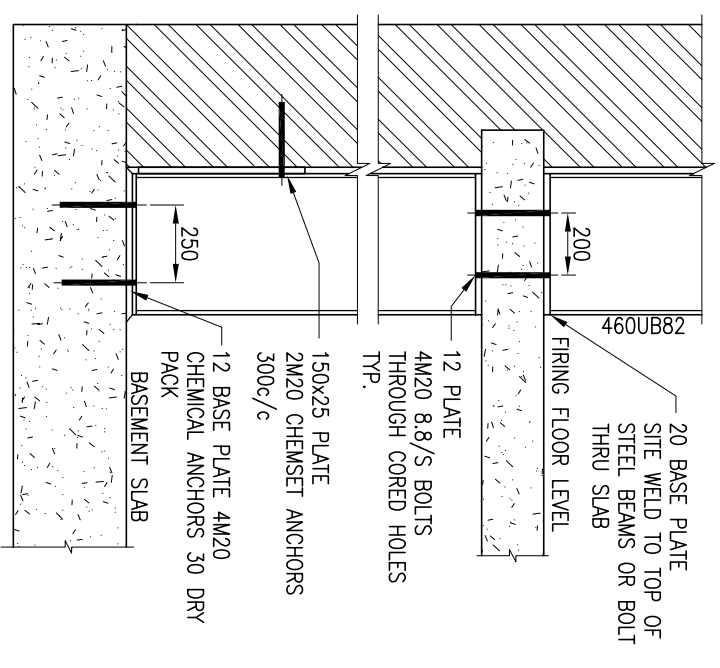
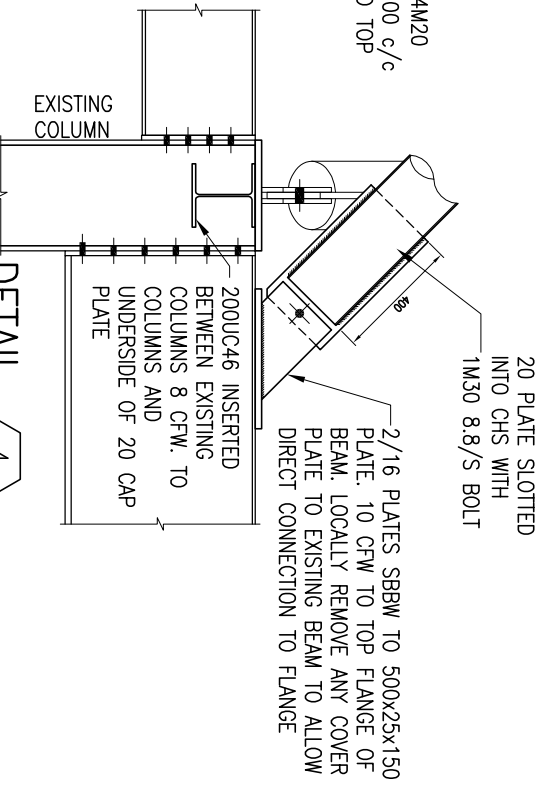
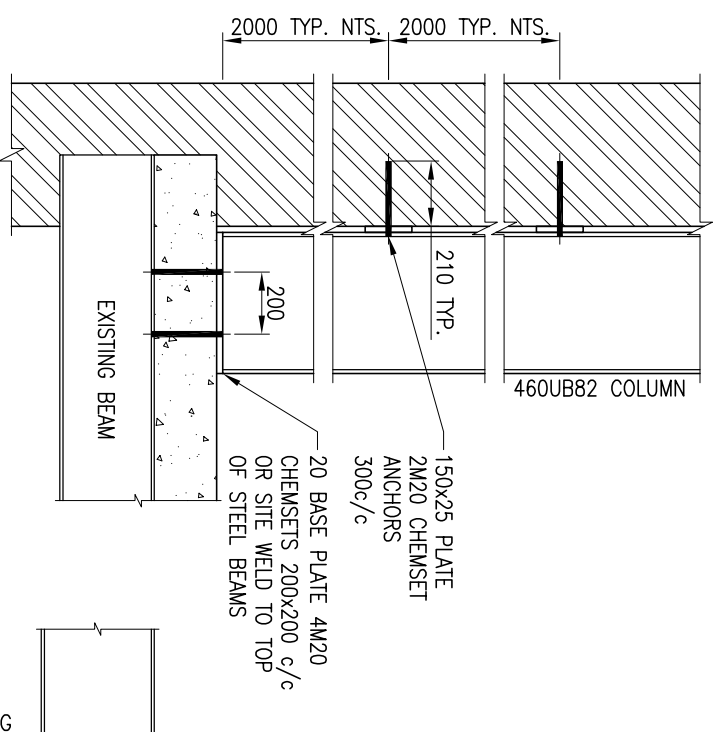
STRUCTURE TO BE RETAINED







- NOTES:**
1. ALL WELDS TO BE 8mm CFW UNO.
  2. ALL STEELWORK TO BE UNPAINTED BUT CLEANED OF LOOSE RUST AND MILL BLOOM
  3. ALL CHEMICAL FIXINGS INTO MASONRY USING FOLLOWING PROCEDURES
    - DRILL HOLES IN BRICKWORK TO REQUIRED DEPTH
    - FILL HOLES WITH EXPANDING FOAM
    - REAM OUT FOAM FROM HOLES
    - CLEAN HOLES AND INJECT EPOXY IN ACCORDANCE WITH MANUFACTURER'S RECOMMENDATIONS
  4. PREPARE AND SUBMIT SHOP DRAWINGS OF ALL NEW STEELWORK FOR APPROVAL



**DETAIL 3**  
SCALE = 1:10  
SK-06

**DETAIL 4**  
SCALE = 1:10  
SK-06

**DETAIL 5**  
SCALE = 1:10  
SK-06

rev	date	description	by	chk
01	12.10.07	ISSUED FOR PROJECT APPLICATION AND TENDER	RC	RC



enstruct group pty ltd  
Level 4, 4 Glen Street  
Milton Park NSW 2061  
Australia  
Telephone (02) 8804 1444  
Fax (02) 8804 1444  
http://www.enstruct.com.au

Project  
Fraser's Broadway Development

Building Use  
OLD BOILER HOUSE  
NORTH WALL  
STABILIZATION DETAILS

FOR PROJECT APPLICATION & TENDER

Scale of ST	Drawn by	Checked	Date
1 : 500	ML	RC	Oct 07
Project no.	Drawing no.	Rev.	
3790	ST-003.02	01	